

MPL-III-1319/1-6uJ/1-100mW



### LD PUMPED ALL-SOLID-STATE Q-SWITCHED LASER

All solid state Q-switched laser at 1319nm has the features of high peak power, high repetition rate, and short pulse duration, which is widely used in industry (marking on the diamond or stone), teaching of nonlinear optics, fiber communication, etc.

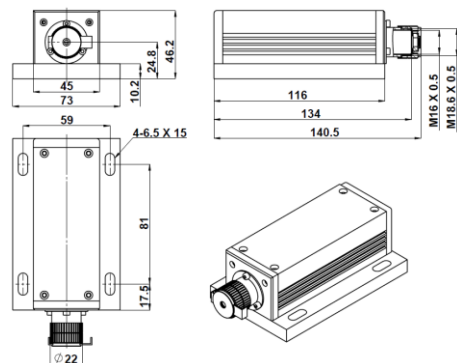


#### SPECIFICATIONS

|  |          |  |
|--|----------|--|
| Central wavelength (nm)                |          | 1319±1   |
| Operating mode                         |          | Q-switched pulsed laser  |
| Single pulse energy (μJ)               |          | 1~6  |
| Pulse duration (ns)                    |          | ~10  |
| Peak power (W)                         |          | 100~600  |
| Rep. rate (kHz)                        | FIXED    | Setting up one fixed rep. rate internal between 1kHz-4kHz with stable pulse energy, pulse duration and pulse period. |
|  | EXT TRIG | 1kHz-4kHz by external trigger with stable pulse energy, pulse duration and pulse period.                             |
|  | QCW      | QCW state with one rep. rate between 10kHz-20kHz.  |
| Average power (mW)                     |          | Average power (mW) = Single pulse energy (μJ) * Rep. rate (kHz)  |
| Ave power stability (over 4 hours)     |          | <1%, <2%, <3%, <5%   |
| Transverse mode                        |          | TEM <sub>00</sub>  |
| Warm-up time (minutes)                 |          | <10  |
| Beam divergence, full angle (mrad)     |          | <1.5   |
| Beam diameter at 1/e <sup>2</sup> (mm) |          | ~1.5   |
| Beam height from base plate (mm)       |          | 24.8   |
| Operating temperature (°C)             |          | 10~35  |
| Power supply (90-264VAC)               |          | PSU-III-FDA  |
| Expected lifetime (hours)              |          | 10000  |
| Warranty                               |          | 1 year   |

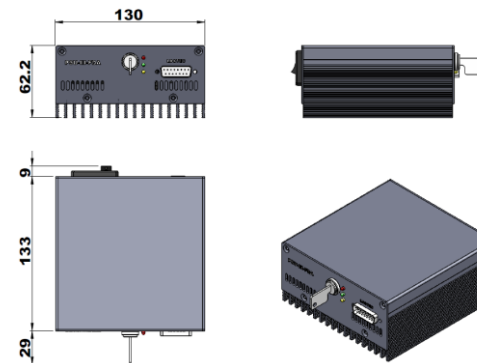


MPL-III-1319



140.5 (L) × 73 (W) × 46.2 (H) mm<sup>3</sup>, 0.6kg

PSU-III-FDA



171 (L) × 130 (W) × 62.2 (H) mm<sup>3</sup>, 1.2kg