

MBL-N-457/1~2W



### LD PUMPED ALL-SOLID-STATE BLUE LASER AT 457NM

All solid state 457 nm blue laser is made features of ultra compact, long lifetime and easy operating, which is widely used in collimation, laser medical treatment, scientific experiment, optical instrument, laser display, laser lighting show, etc.

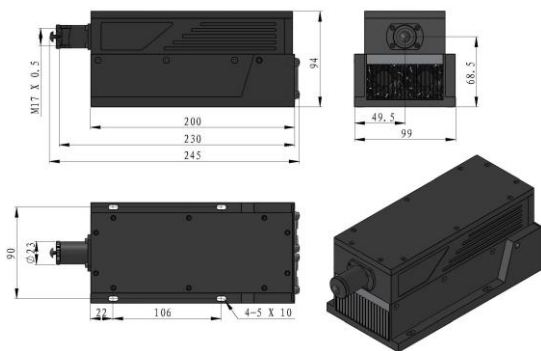


#### SPECIFICATIONS

Model	MBL-N-457A (Good beam)	MBL-N-457B (Normal Product)
Wavelength (nm)	457±1	
Operating mode	CW	
Output power (W)	>1, 1.2,..., 1.5	>1, 1.5,..., 2
Power stability (rms, over 4 hours)	<1%, <2%, <3%, <5%	
Transverse mode	TEM <sub>00</sub>	Near TEM <sub>01</sub>
M <sup>2</sup> factor	<1.5	<3.0
Beam divergence, full angle (mrad)	<1.2	
Beam diameter at the aperture (1/e <sup>2</sup> ,mm)	~2.0	~3.0
Warm-up time (minutes)	<10	
Polarization ratio	>100:1	
Beam height from base plate (mm)	68.5	
Operating temperature (°C)	20~30	10~35
Power supply (90-264VAC)	PSU-H-LED/ PSU-H-FDA	PSU-H-LED/ PSU-H-FDA
TTL / Analog modulation	TTL or Analog with 1Hz-1kHz 1kHz-10kHz, 10kHz-30kHz optional	
Expected lifetime (hours)	10000	
Warranty period	1 year	



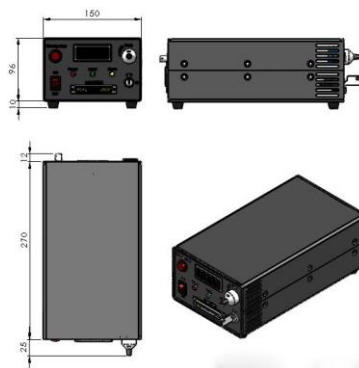
#### MxL-N-457



245 (L) × 99 (W) × 94 (H) mm<sup>3</sup>, 2.6 kg

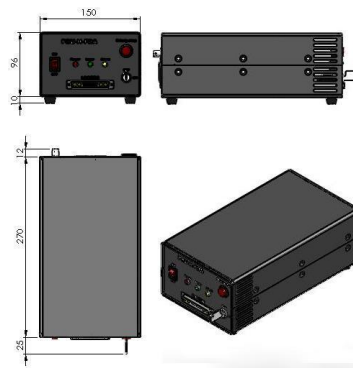
#### MBL-N-457A

##### PSU-H-LED



307 (L) × 150 (W) × 106 (H) mm<sup>3</sup>, 2.9 kg

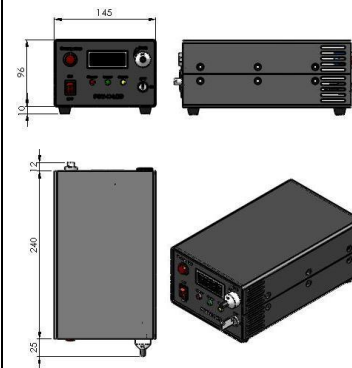
##### PSU-H-FDA



307 (L) × 150 (W) × 106 (H) mm<sup>3</sup>, 2.9 kg

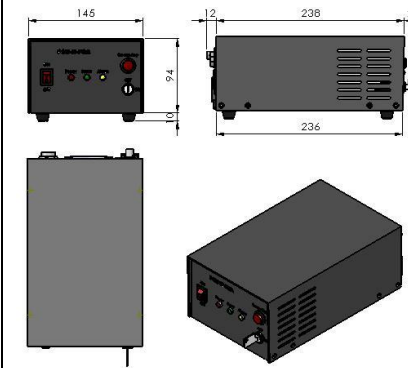
#### MBL-N-457B

##### PSU-H-LED



277(L) × 145 (W) × 106 (H) mm<sup>3</sup>, 2.6 kg

##### PSU-H-FDA



275 (L) × 145 (W) × 104 (H) mm<sup>3</sup>, 2.4 kg